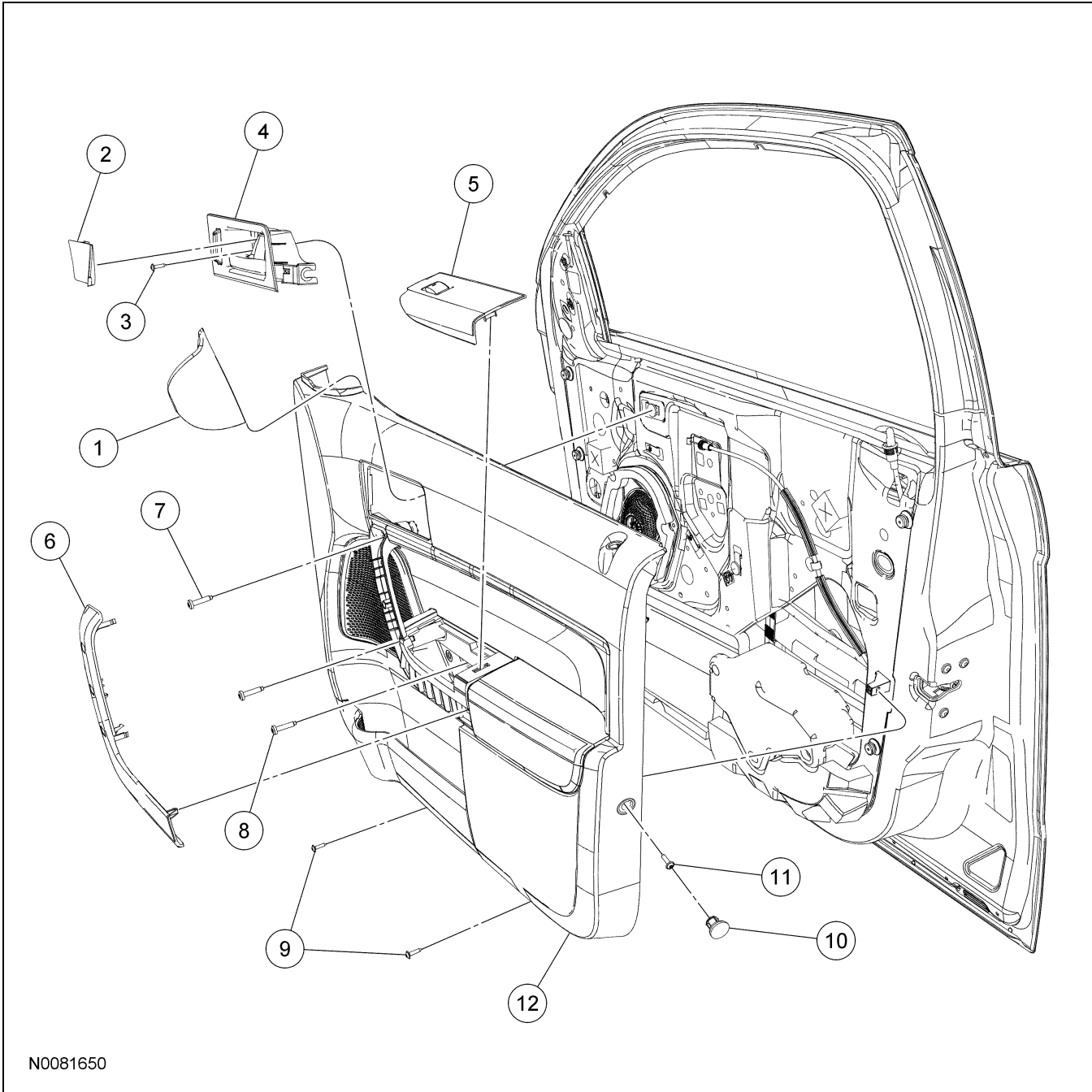


# REMOVAL AND INSTALLATION

## Door Trim Panel — Front

NOTE: RH side shown, LH side similar.

NOTE: Four door shown, 2 door similar.



N0081650

Item	Part Number	Description
1	17K709	Front door sail panel
2	22620 RH/ 22621 LH	Front door inside handle finish panel
3	N805651	Front door inside handle bolt

(Continued)

Item	Part Number	Description
4	22600 RH/ 22601 LH	Front door inside handle
5	23712 RH/ 23713 LH	Front window control switch panel

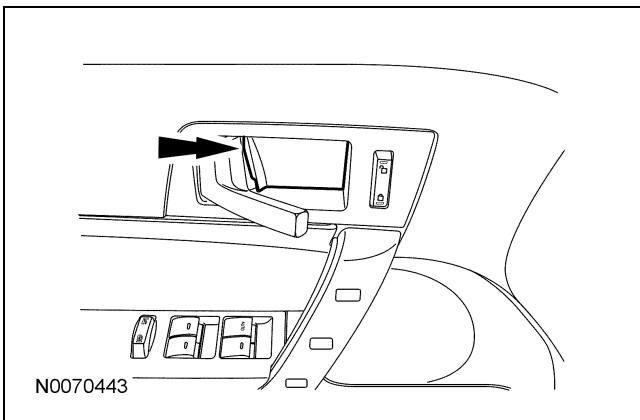
(Continued)

**REMOVAL AND INSTALLATION (Continued)**

Item	Part Number	Description
6	22670 RH/ 22671 LH	Front door pull handle screw cover
7	W505584	Front door pull handle screw (2 required)
8	N805651	Front door trim panel middle screw (power windows only)
9	W708412	Front door trim panel screws (2 required — 4 door) (3 required — 2 door)
10	—	Front door trim panel side screw cover
11	W708412	Front door trim panel side screw
12	23942 RH/ 23943 LH	Front door trim panel

**All vehicles**

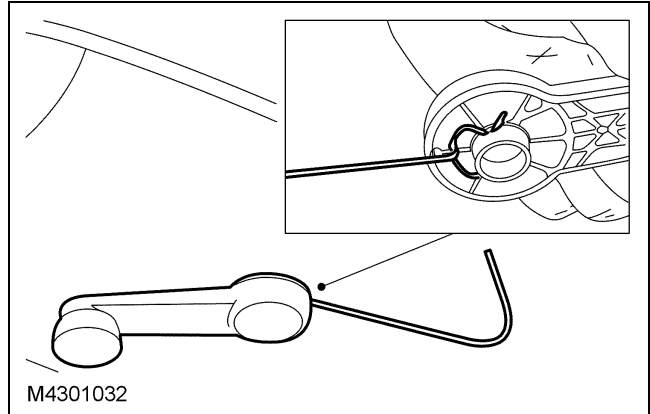
- Remove the front door sail panel.
  - If equipped, disconnect the electrical connector.
- NOTE:** LH front door trim panel shown, RH front door trim panel similar.  
Remove the front door inside handle finish panel.
  - Pull the front door inside handle outward.
  - Using a suitable tool, pull the front door inside handle finish panel outward at the location shown.



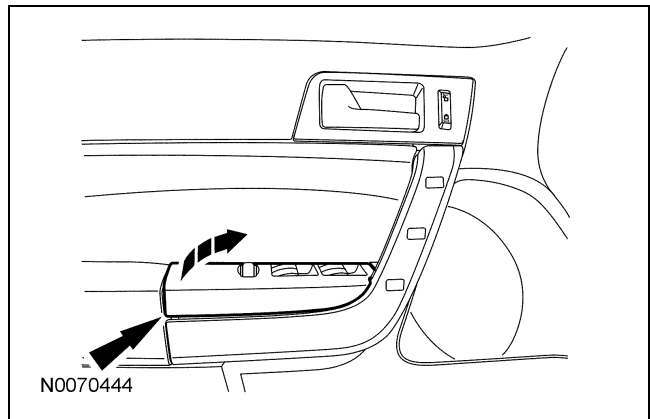
- Remove the front door inside handle bolt.

**Manual windows**

- NOTE:** Use a suitable tool to remove the clip.  
Remove the window regulator handle.

**Power windows**

- NOTE:** LH front door trim panel shown, RH front door trim panel similar.  
Remove the front window control switch panel.
  - Lift upward at the rear of the front window control switch panel.
  - Disconnect the electrical connector.



- Remove the middle door trim panel screw.

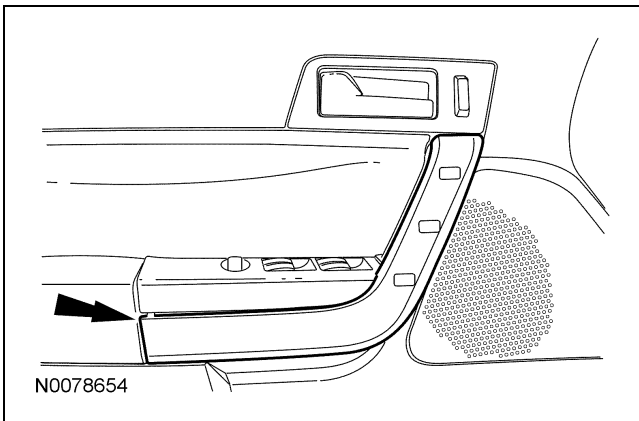
**REMOVAL AND INSTALLATION (Continued)****All vehicles**

7. **NOTICE:** Pull the front door pull handle screw cover at the rear of the front door pull handle screw cover. Otherwise, damage to the front door pull handle screw cover may occur.

**NOTE:** LH front door trim panel shown, RH front door trim panel similar.

Remove the front door pull handle screw cover.

- Pull the rear of the front door pull handle screw cover away from the door.



8. Remove the 2 front door pull handle screws.
- To install, tighten to 3 Nm (27 lb-in).

**2 door**

9. Remove the 3 front door trim panel screws.

**4 door**

10. Remove the 2 front door trim panel screws.

**All vehicles**

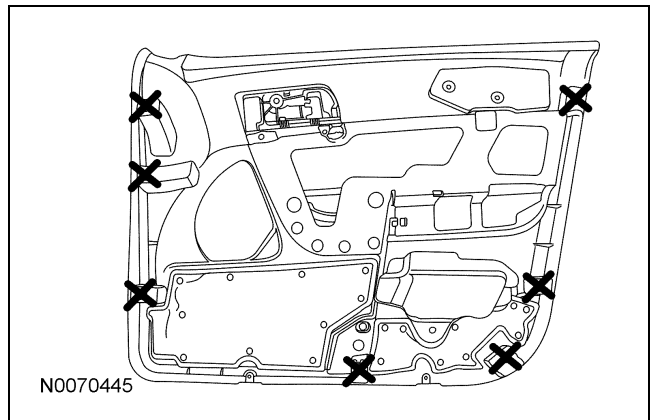
11. Lift the front door trim panel side screw cover and remove the front door trim panel side screw.

12. **NOTE:** To help with the removal of the front door trim panel, the location of the front door trim panel retaining clips on the backside of the front door trim panel are shown.

**NOTE:** LH front door trim panel shown, RH front door trim panel similar.

Remove the front door trim panel.

- Pull the front door trim panel away from the door to release the front door trim panel retaining clips.
- Lift the front door trim panel upward over the door lock knob.



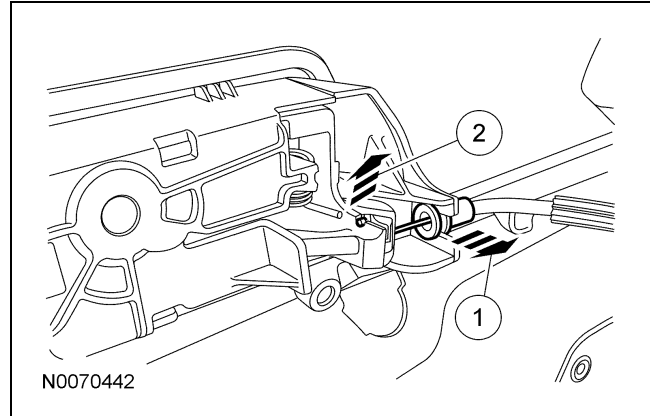
13. If equipped, remove the wire harness from the front door trim panel.
14. If equipped, disconnect the door lock electrical connector.

**REMOVAL AND INSTALLATION (Continued)**

15. **NOTE:** LH front door trim panel shown, RH front door trim panel similar.

Remove the front door handle cable from the front door trim panel.

- 1 Pull the front door handle cable from the front door inside handle cable retainer.
- 2 Lift the front door handle cable upward from the front door inside handle.



16. To install, reverse the removal procedure.

- To install, make sure to align the trim panel retaining clips to the retaining clip holes in the body.